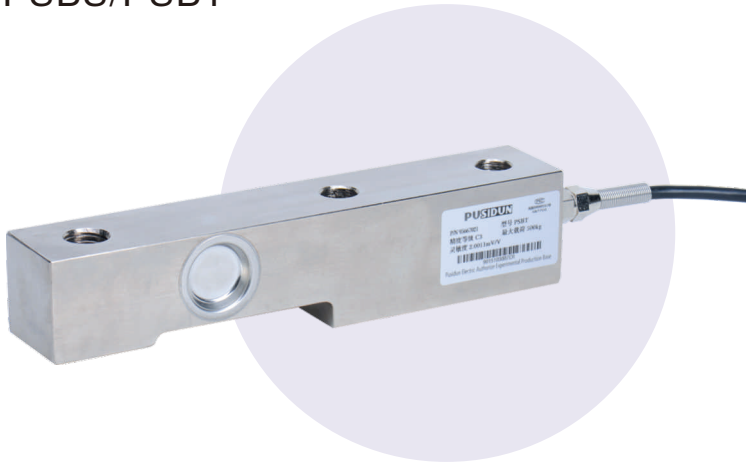


## PSBS/PSBT



### 接线说明 CABLE COLOUR CODE

绿色输入正(+Exc)	<b>Green</b>
黑色输入负(-Exc)	<b>Black</b>
白色输出正(+Sig)	<b>White</b>
红色输出负(-Sig)	<b>Red</b>
黄色反馈正(+Sen)	<b>Yellow</b>
蓝色反馈负(-Sen)	<b>Blue</b>

### 特点 & 应用 FEATURES & APPLICATIONS

德国进口，国际标准OIML R60 C3  
 优质合金钢/不锈钢，胶封防护等级IP68；  
 结构紧凑，配件可选用调整支脚、钢球压头；  
 固定、移动和半移动三种结构，允许容器产生微量变形；  
 支撑螺栓，防止设备倾覆且方便维护；  
 多种安装方式，可径向，切向、矩形安装。  
 适用于料斗秤，料箱秤和料仓秤；  
 各类电子称重设备及力测试设备。

#### Features:

Alloy steel or Stainless steel, silicon sealed or welded seal;  
 Compact design;  
 Two types of accessories: adjustable support feet or steel ball head;  
 Three types of construction: fixed, shiftable and semi-shiftable, tiny container;  
 Deformation is allowed for support bolt, anti-overturn and easy maintenance.  
 Suitable for most installations: Vertical, horizontal and rectangular.

Made in German, OIML R60 C3 approval;

Protection class: IP68

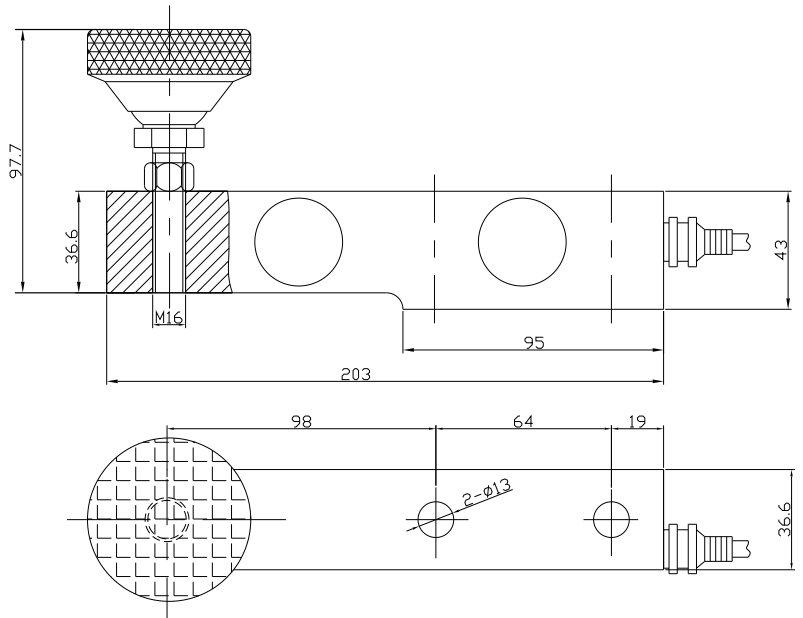
#### Applications:

Used for Tank and hopper weighing;  
 Suitable for most electronic weighing and force testing.

### 技术参数 SPECIFICATIONS

精度等级 Accuracy class.....C3 0.02  
 输出灵敏度 Output sensitivity..... $2.0 \pm 0.002 \text{ mV/V}$   
 非线性 Nonlinearity.....0.02% F.S  
 滞后误差 Hysteresis.....0.02% F.S  
 重复性误差 Repeatability.....0.02% F.S  
 蠕变 Creep.....0.02% F.S/30min  
 零点温度漂移 Temp. Effect on zero.....0.02% F.S/10°C  
 灵敏度温度漂移 Temp. Effect on output...0.02% F.S/10°C  
 零点输出 Zero output..... $\pm 1\% \text{ F.S}$   
 输入阻抗 Input Resistance..... $400 \pm 20 \Omega$

### 尺寸图 DIMENSIONS



输出阻抗 Output Resistance..... $351 \pm 2 \Omega$   
 绝缘阻抗 Insulation Resistance..... $\geq 5000 \text{ M}\Omega (100 \text{ VDC})$   
 温度补偿范围 Compensated Temp. Range..... $-10 \sim +40^\circ \text{C}$   
 允许使用温度范围 Operation Temp. Range..... $-20 \sim +65^\circ \text{C}$   
 推荐激励电压 Recommended excitation voltage..  $10 \sim 15 \text{ V(DC/AC)}$   
 允许激励电压 Acceptable excitation voltage..... $6 \sim 18 \text{ V(DC/AC)}$   
 安全超载 Safe overload capacity.....150% F.S  
 极限过载 Mechanical failure.....300% F.S  
 防护等级 Sealed standard.....IP68  
 电缆线长度 Cable Length.....500 ~ 3000kg 5m